



FeatherSnap™

Smart Bird Feeder



Scout User Manual and Installation Guide



www.FeatherSnapCam.com



Table of Contents:

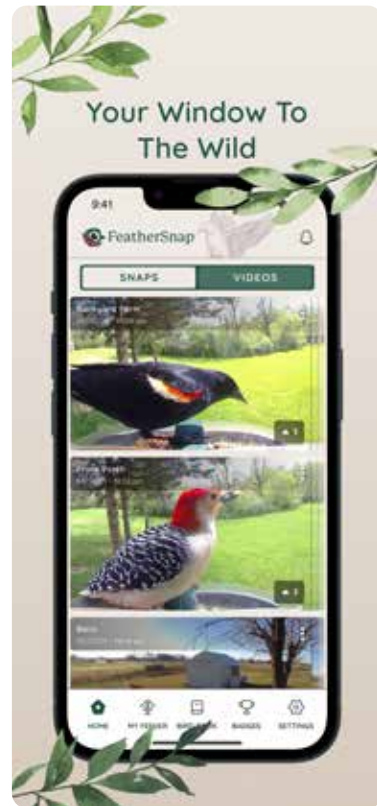
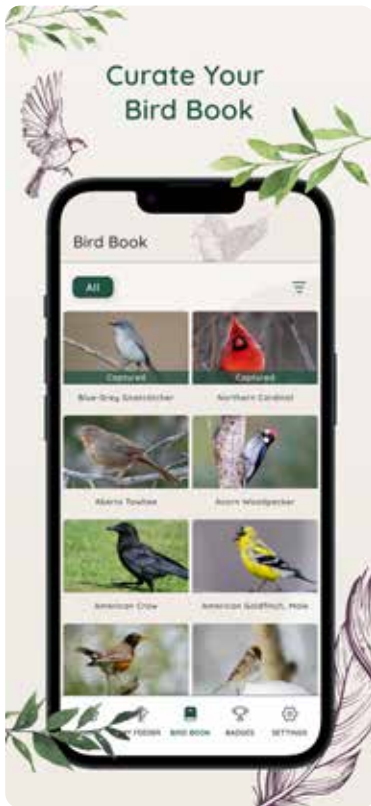
- What's in the Box
- FeatherSnap™ Device Tour
- Safety Information
- Bird Feeder Installation Guide
- Creating Your Feathersnap Account
- Setting Up Your Device
 - Charging the Battery
 - Camera Operations
 - Memory and SD Cards
 - Solar Charging
 - Feeder Placement
 - Filling the Feeder
- Mobile Application
 - Downloading the App
 - Adding a Feeder
 - Using the Mobile App
- Troubleshooting
- Frequently Asked Questions
- Warranty Information





DOWNLOAD THE FEATHERSNAPCAM APP

Visit the Apple App Store or Google Play to Download



FEATHERSNAP™ WEB PORTAL



Purchase your subscription on the web portal today!

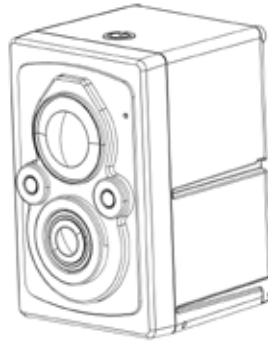


What's in the Box

Camera



USB-C Charging Cable



FeatherSnap Camera

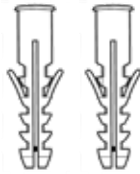


Rechargeable Lithium Battery

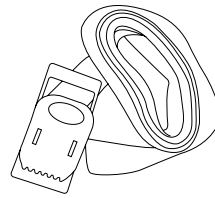
Feeder



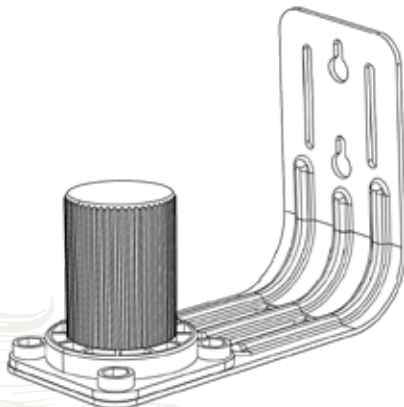
Mounting Screws



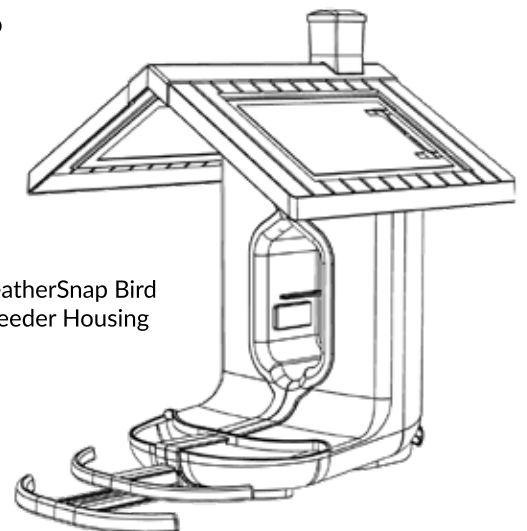
Wall Anchors



Tree Strap

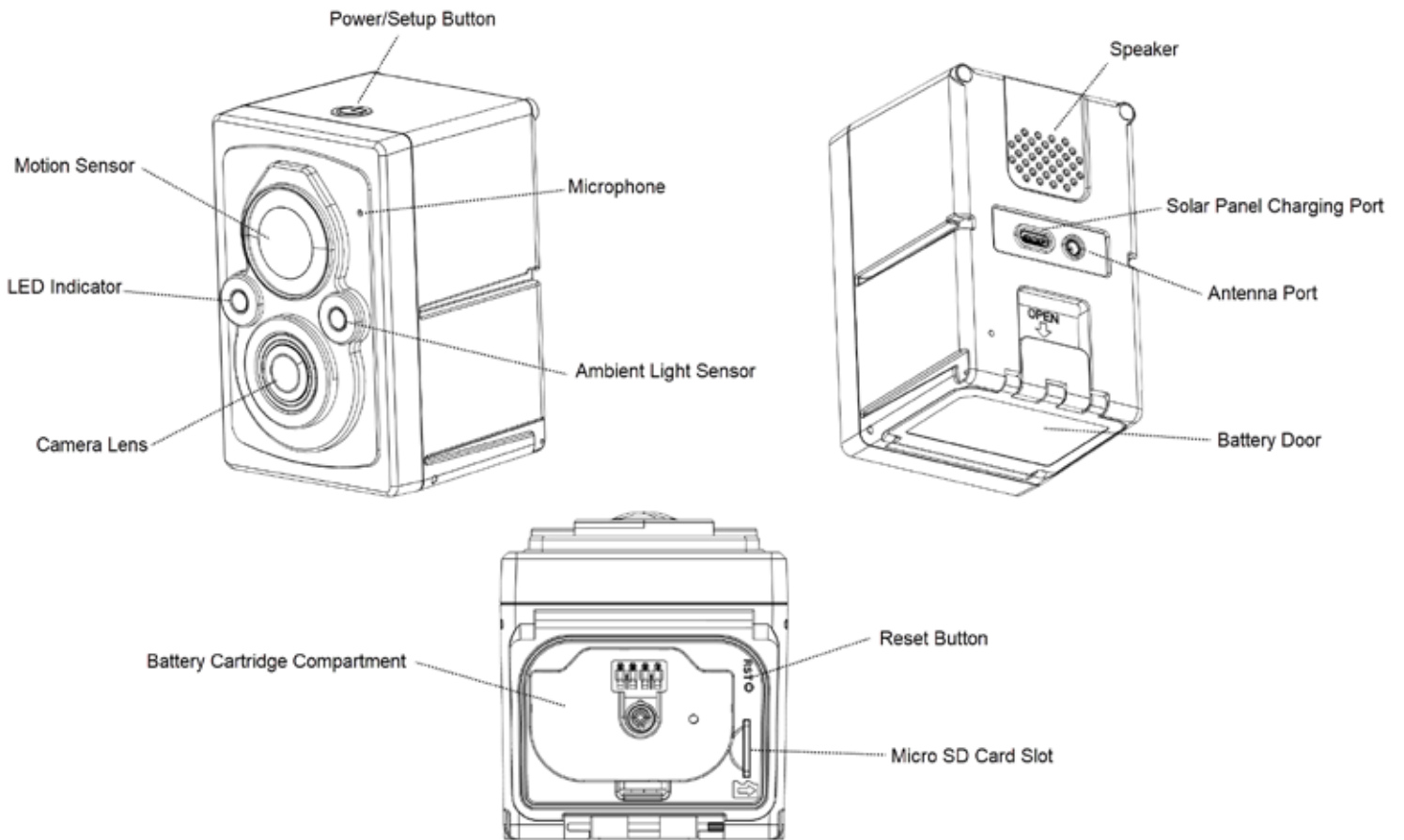


Mounting Bracket

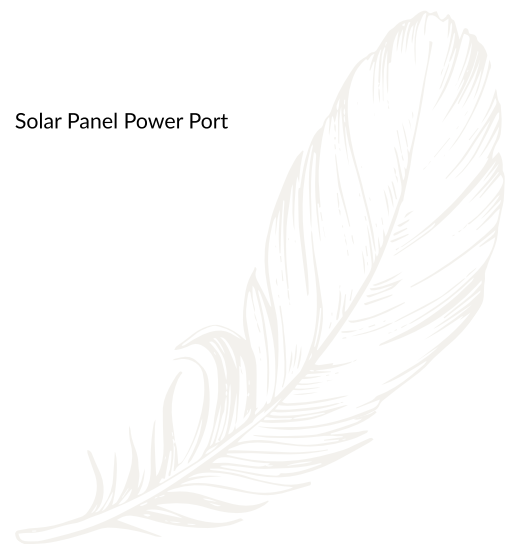
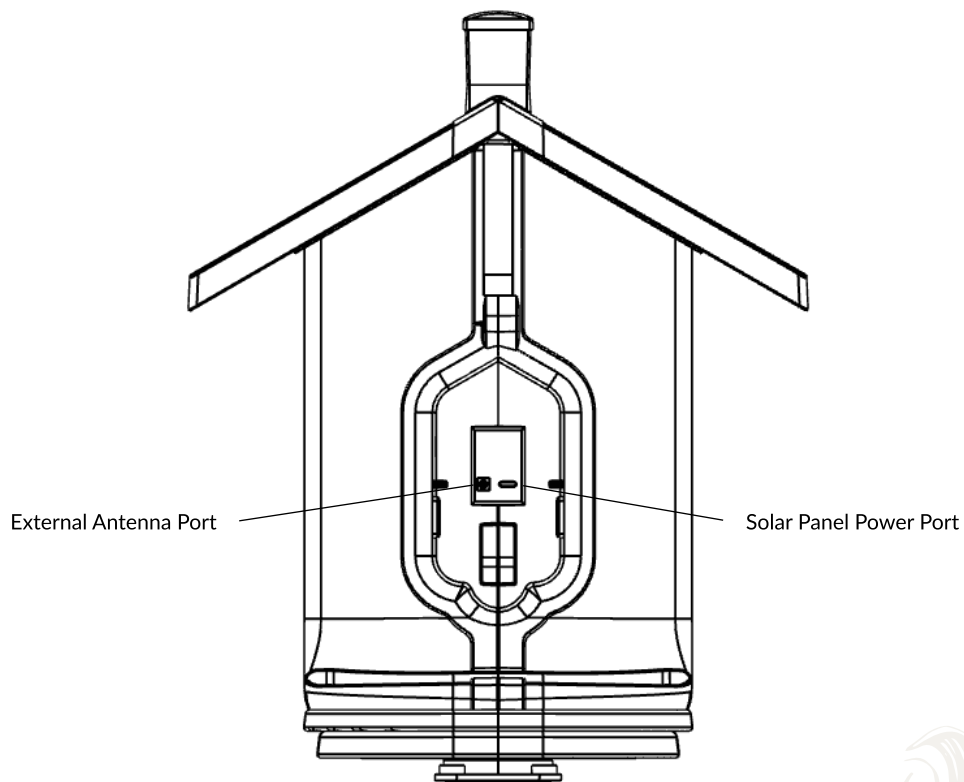
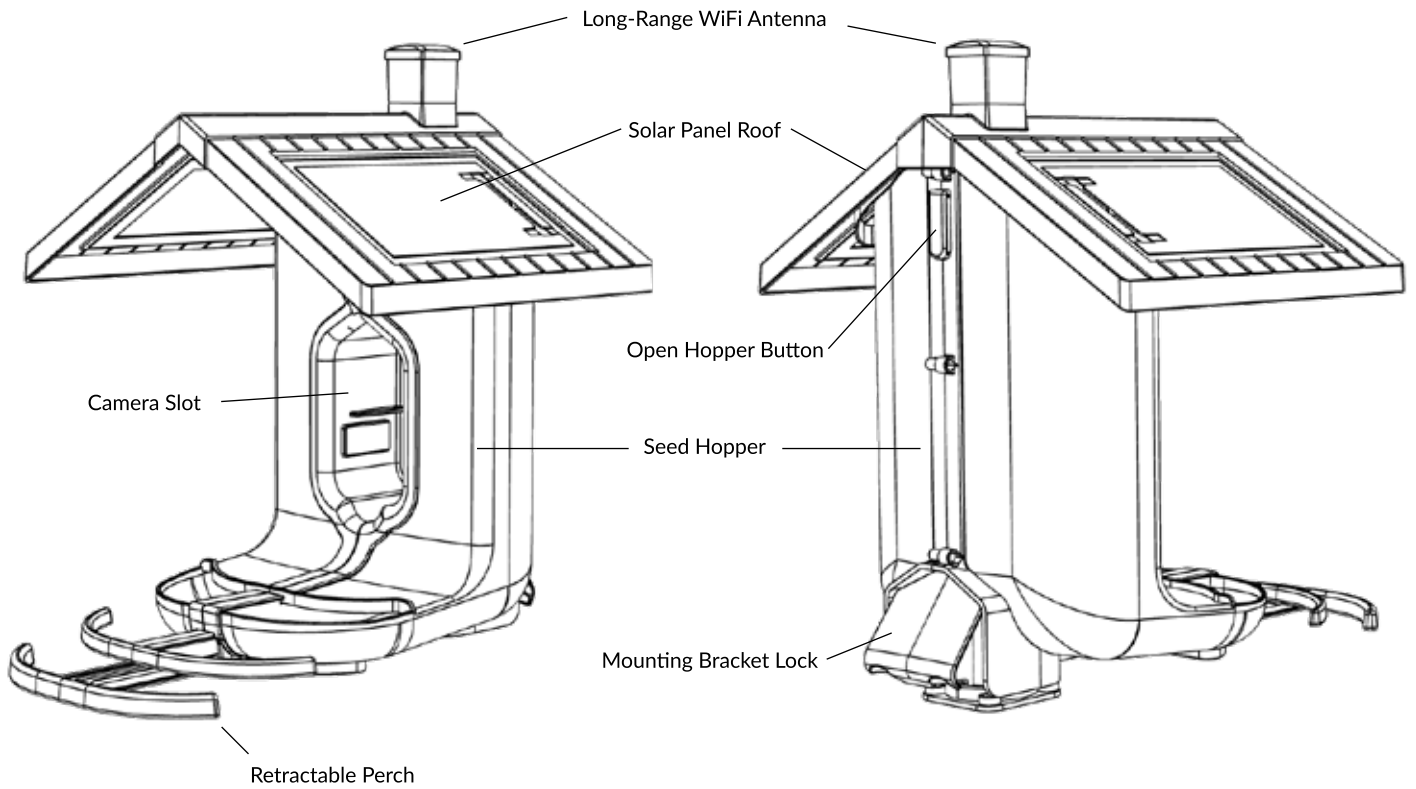


FeatherSnap Bird Feeder Housing

Product Tour (Camera)



Product Tour (Feeder)



Safety Precautions

Before You Begin:

- Read and understand all instructions thoroughly before operating the device or attempting installation.
- Always wear appropriate personal protective equipment (PPE) when working with power tools and drilling into structures:
 - Safety glasses or goggles to protect your eyes from flying debris.
 - Ear protection to shield your ears from loud noises.
 - Dust mask to prevent inhalation of dust particles.
 - Gloves to protect your hands from cuts and abrasions.
 - Sturdy footwear with good traction to prevent slips and falls.

Power Tools and Drilling:

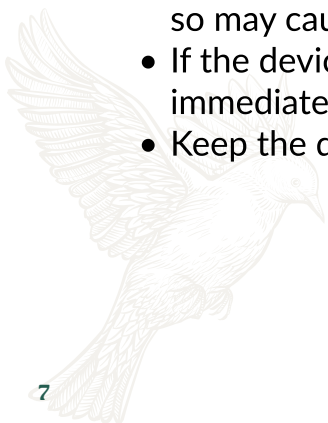
- Ensure all power tools are in good working condition and equipped with safety features.
- Use the correct drill bit for the material you are drilling into (wood, concrete, etc.).
- Be mindful of electrical cords and avoid cutting or damaging them.
- Always unplug power tools before changing drill bits or performing maintenance.
- Never leave power tools unattended while plugged in.
- Do not attempt to modify or disassemble power tools.

Working at Heights:

- Only work on a stable and secure surface.
- Use a properly rated ladder for the task and your weight.
- Ensure the ladder is fully extended and secured before climbing.
- Always maintain three points of contact (two hands and one foot or one hand and two feet) with the ladder.
- Do not climb or stand on the top step of a ladder.
- Have someone hold the ladder for you while working at height if possible.

Device Safety:

- This device is intended for outdoor use.
- Never tamper with, disassemble, or attempt to service the device or battery. Doing so may cause fire, explosion, burns, or other serious injuries. **
- If the device or battery is damaged, leaking, or malfunctioning, discontinue use immediately and contact the manufacturer for support.
- Keep the device and battery out of reach of children and pets.



Specifications

FEEDER	
Solar Panel	
IPCE	>=22.6%
Working Voltage	6.5V
Working Current	0.47A
VOC	8V
ISC	0.55A
Max Output	3W
Hopper Capacity	2 L
Bracket Weight Capacity	50 lbs
Perch Weight Capacity	28 lbs
Feeder Dimensions	11.9" x 13.4" x 14.9"
Weight (Empty)	5 lbs
Weight (Full)	~10 lbs

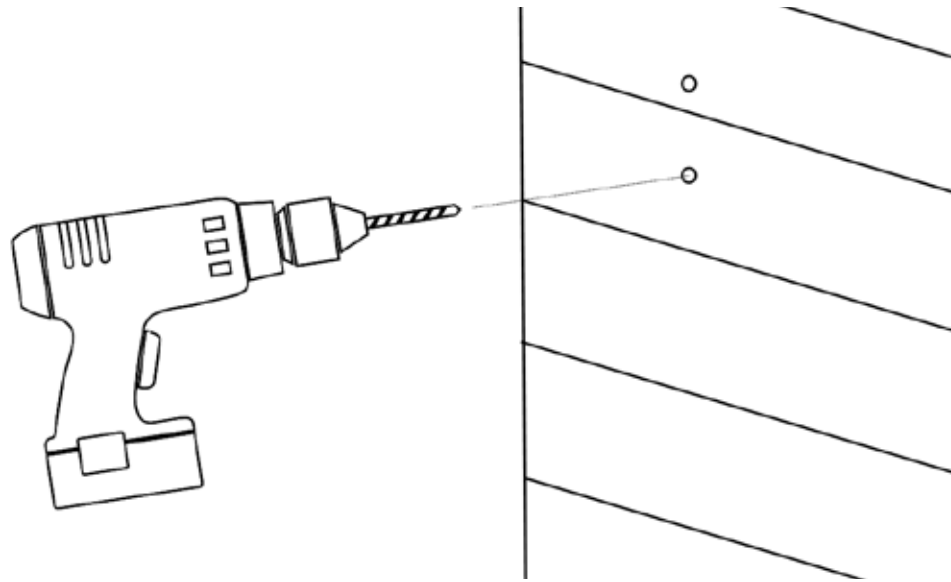
CAMERA	
WiFi band	2.4GHz
WiFi Range	150'+
Horizontal FoV (lens)	170°
Vertical FoV (lens)	90°
Focal Range	4-24"
Image Resolution	1280x720
Motion Detection Distance	10'
IR LED Flash	840nm

BATTERY	
Voltage	3.6V
Capacity	5200mAh
Charge Type	USB-C
Charging Watts	5W
Charging Time	~6hrs
Battery Life	4,500 Captures
Minimum Operating Temperature	-20° F (-29° C)
Maximum Operating Temperature	130° F (54° C)

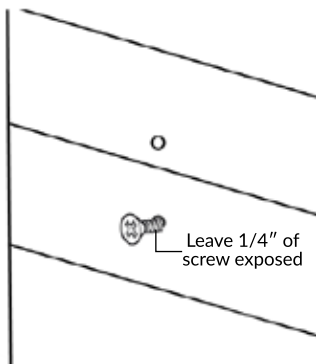


Feeder Installation (WALL, FENCE, OR POST)

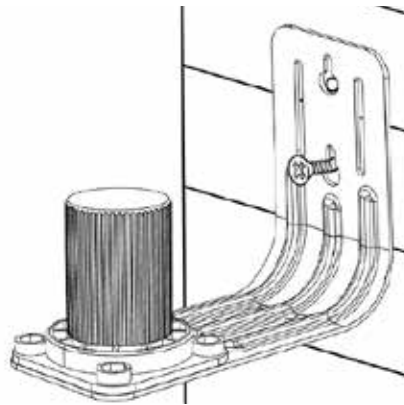
1. Determine desired mounting location. For tips, see section on feeder placement.
2. If mounting on concrete, pre-drill 1/4" holes and insert mounting anchors. If mounting on wood, pre-drill 1/8" holes.



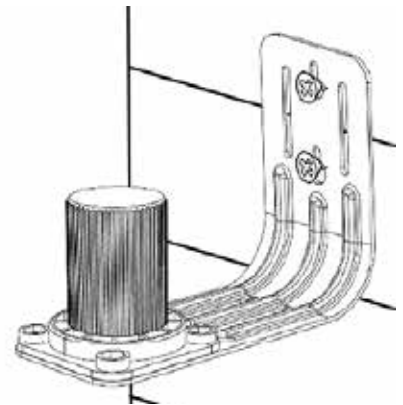
3. Install lower screw into pre-drilled hole leaving 1/4" of space between the surface and the head of the screw.
4. Install bracket onto lower screw.



Install included screw into lower keyhole, leaving 1/4" of the screw exposed.

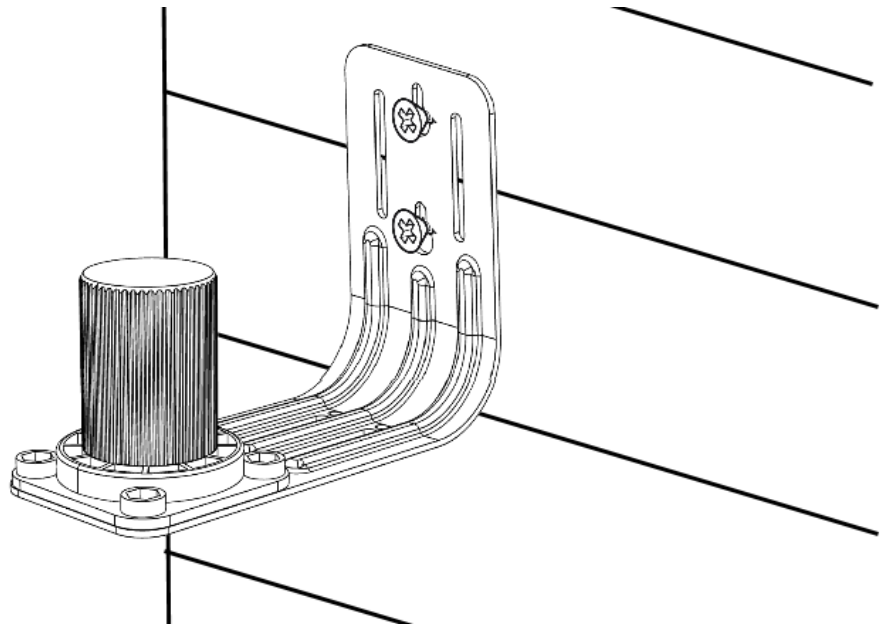


Hang bracket onto lower screw.

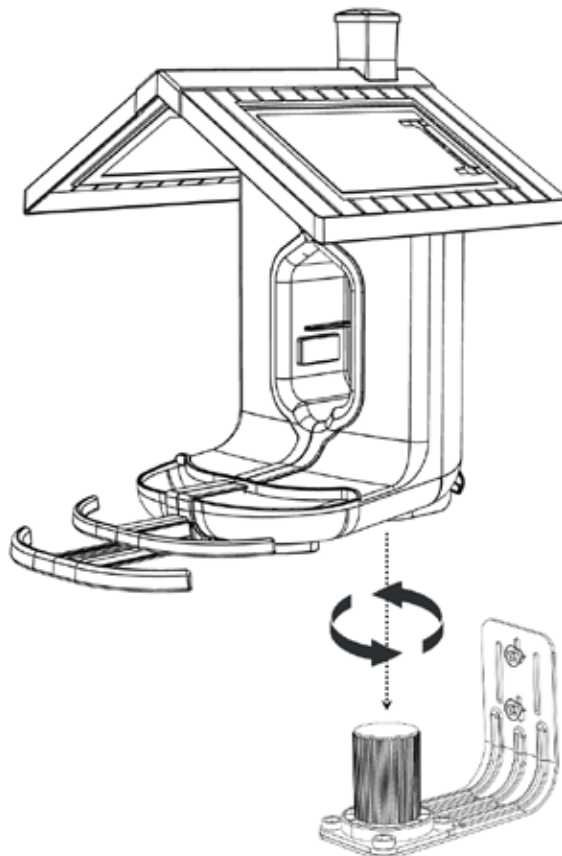


Install screw through Upper keyhole. Tighten Lower screw.

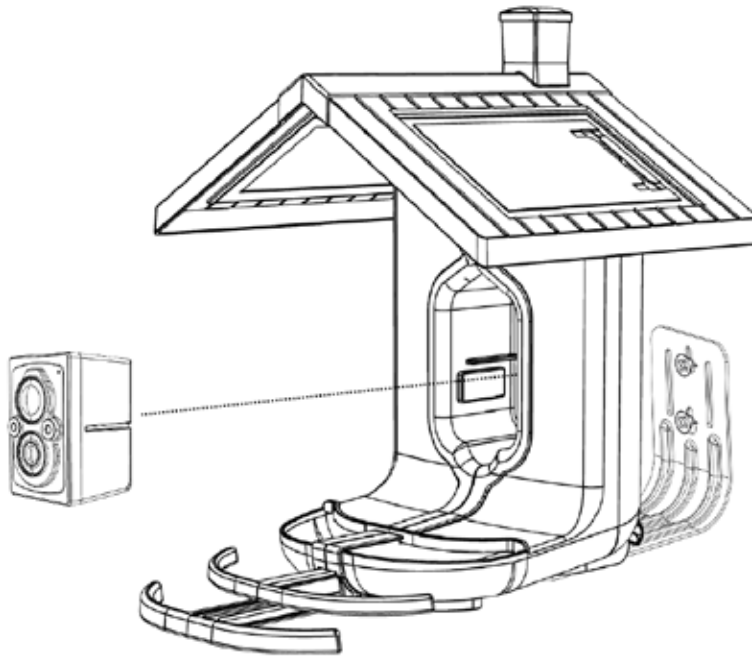
5. Ensure that bracket is level and install upper screw until fully tightened.
6. Tighten lower screw.



7. Determine desired rotational position of feeder and lower feeder onto bracket.



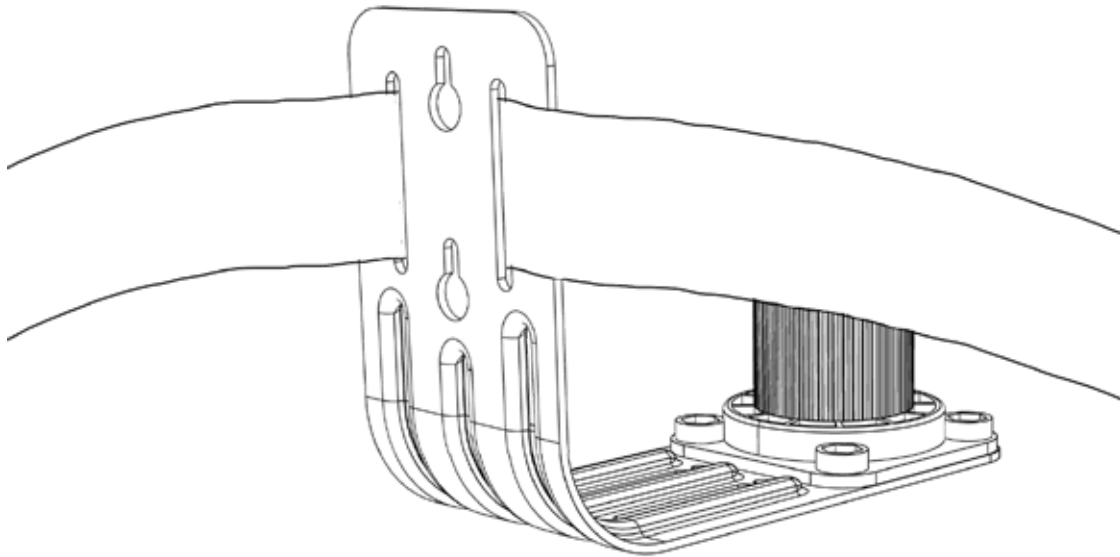
8. Snap the back latch on the feeder down to hold the feeder in place.
9. Push camera into feeder until device is fully seated onto antenna pin.



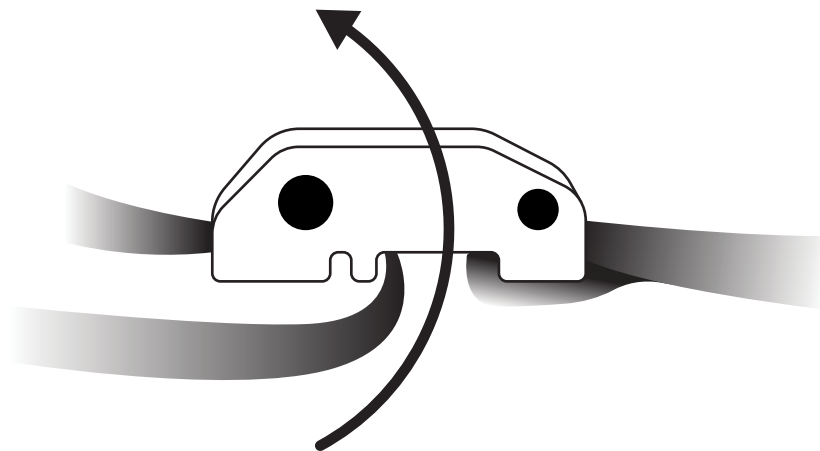
10. Fill feeder with seed and wait for the birds!!

Feeder Installation (TREE MOUNT)

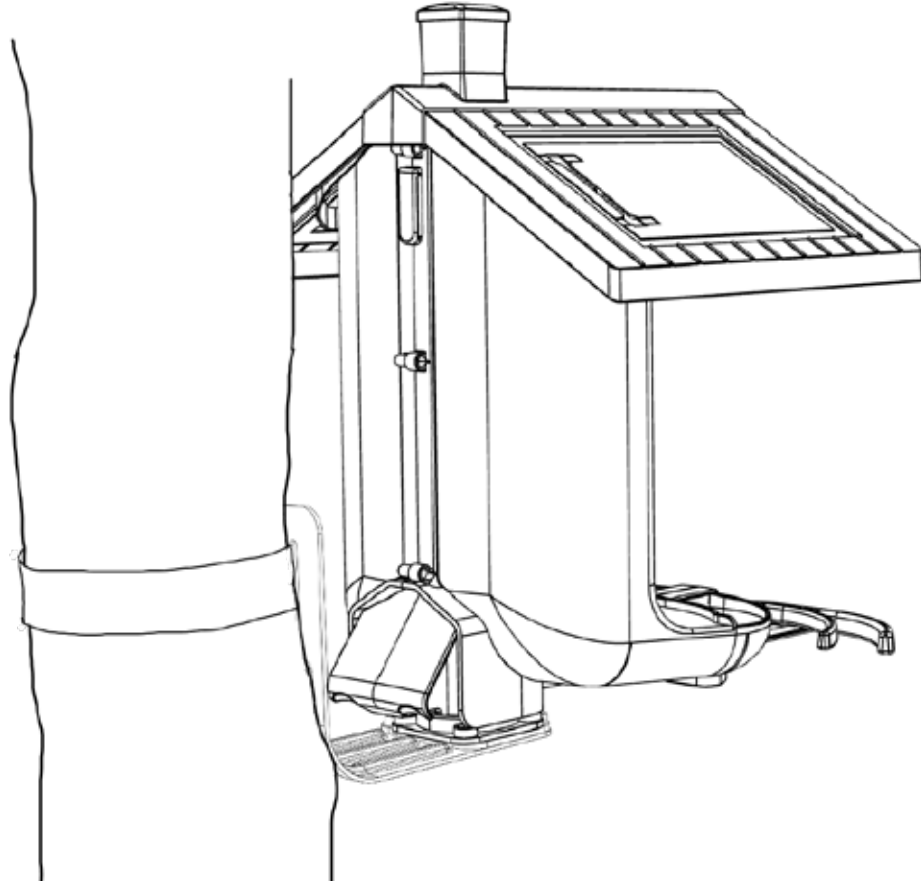
1. Determine desired mounting location. For tips, see section on feeder placement.
2. Insert included mounting strap through slots in mounting bracket.



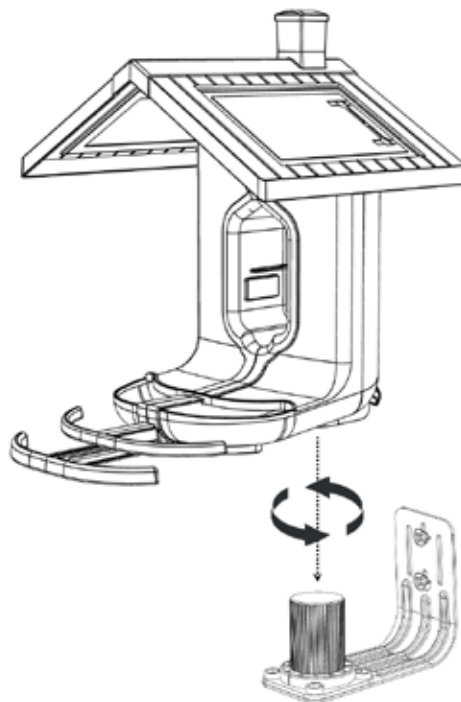
3. Wrap mounting strap around tree at desired height.
4. Fish strap through cam buckle.



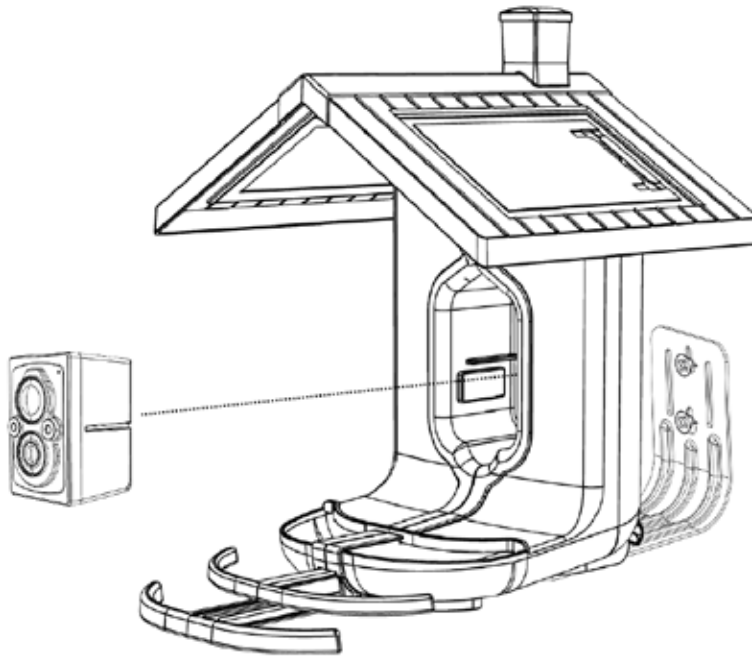
5. Pull loose end of strap until tight.



6. Determine desired rotational position of feeder and lower feeder onto bracket.



7. Snap the back latch on the feeder down to hold the feeder in place.
8. Push camera into feeder until device is fully seated onto antenna pin.

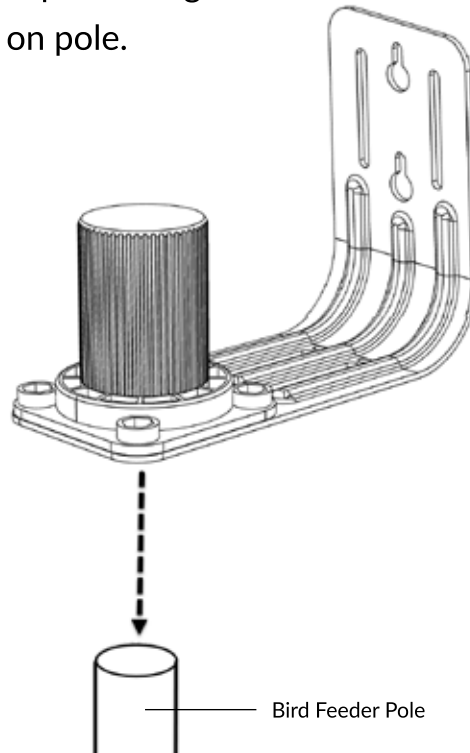


9. Fill feeder with seed and wait for the birds!!

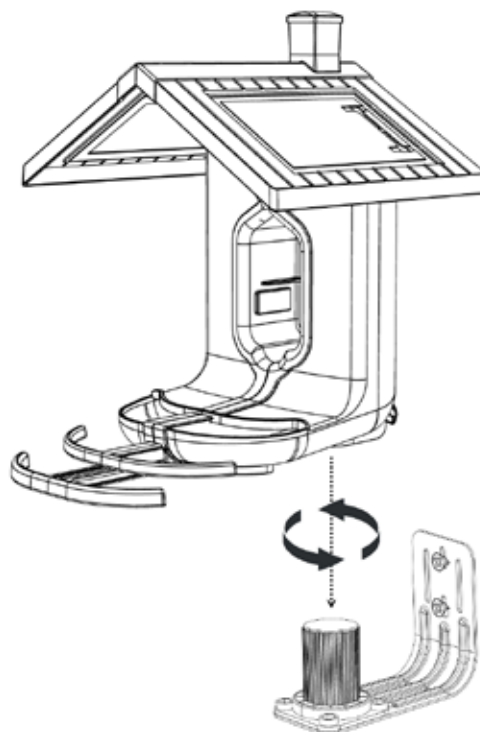


Feeder Installation (POLE MOUNT)

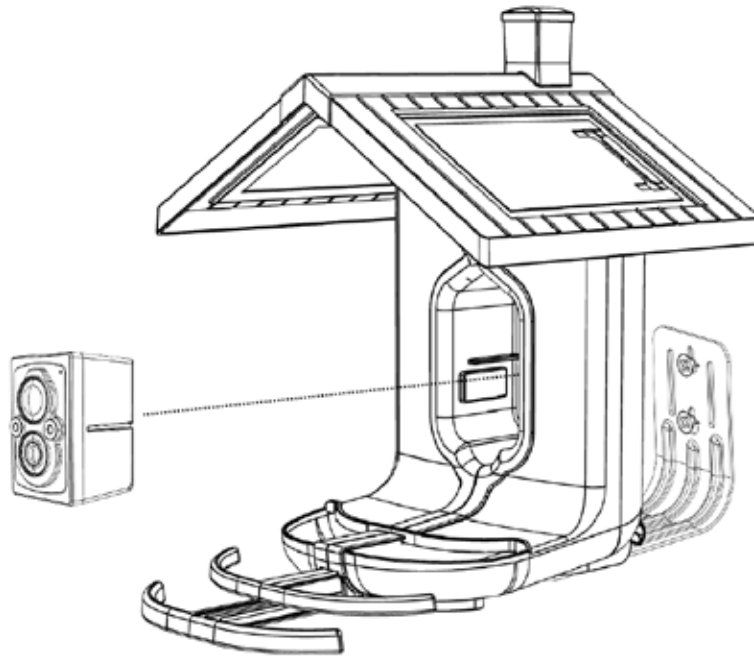
1. Determine desired mounting location. For tips, see section on feeder placement.
2. Place standard 1 inch bird pole into ground.
3. Place mounting bracket on pole.



3. Determine desired rotational position of feeder and lower feeder onto bracket.



5. Snap the back latch on the feeder down to hold the feeder in place.
6. Push camera into feeder until device is fully seated onto antenna pin.



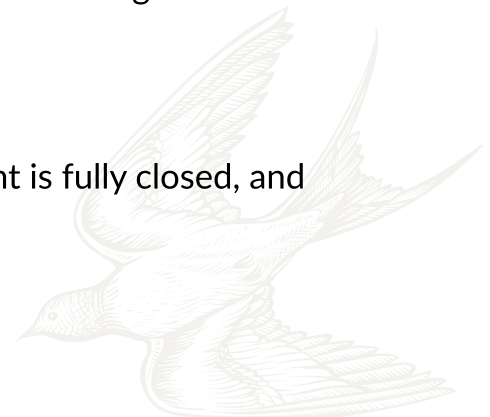
9. Fill feeder with seed and wait for the birds!!

Creating Your FeatherSnap Account

1. Follow the quick start guide that came with your feeder OR visit <https://account.feathersnapcam.com>.
2. Select Create Account.
3. You will see the first form screen to start filling out your details.
 - a. Email address (This will be used to login)
 - b. Confirm your Email address
 - c. Create a secure Password
 - d. Confirm the Password by entering it again
 - e. Read and agree by selecting the checkbox to the Terms and Conditions and the User Agreement
 - f. Select Next
4. You will see the second form screen to finish filling out your details.
 - a. First Name
 - b. Last Name
 - c. Select your Country
 - d. Select your State/Province
 - e. Phone Number
 - f. Confirm your Phone Number
 - g. Select Next
5. You will receive a verification email at the address you provided to confirm and activate your new account.
 - a. Retrieve Verification code from your email (Check your spam if you don't see it)
 - b. Input the Verification code
 - c. You will be logged in to your account if the verification code is valid
6. You will see plan purchase options for your FeatherSnap feeder.
 - a. Follow the on-screen prompts to complete your plan selections
7. Once plan selection is complete, download the FeatherSnapCam App to activate your feeder.

Setting Up Your Device

1. Charging the battery.
 - a. Using the included USB-C cable and a 5V power block (not included) charge the Lithium-Ion Battery Cartridge for ~6hrs. When fully charged, all three LEDs will display solid green.
 - b. To check battery charge level, press the button on the cartridge.
 - 1 LED = Low Battery
 - 2 LED = Half Charge
 - 3 LED = Full Charge
2. Install battery into camera. Ensure that battery compartment is fully closed, and latch has clicked into place.



3. Powering ON/OFF the device.
 - a. Power ON
 - i. Hold Power button down for 1 second.
 - ii. LED will begin to flash green.
 - iii. Camera will provide audio prompt “Power On”.
 - b. Power OFF
 - i. Hold Power button down for 3 seconds.
 - ii. Camera will provide Audio Prompt “Power Off”.
4. Pairing your device .
 - a. NOTE: The camera does NOT have to be in the feeder to activate the device.
 - b. If the device is not already paired the device will automatically enter pairing mode after power on.
 - c. Pairing Mode will be indicated by a blue flashing light
 - d. If the blue LED is not flashing, make sure the camera is powered on and click the power button 3 times to enter pairing mode
 - e. In the Mobile application navigate to “Add a Feeder” and follow the onscreen instructions prompts to activate your device.
 - f. Successful pairing will be indicated in the application.
 - g. There will also be an audio prompt “Device Pairing Successful.”
5. SD cards and memory.
 - a. An optional microSD card can be inserted into the device if desired.
 - i. If a microSD card is inserted into the device all image and video captures will be saved to the card.
 - ii. When the microSD card memory is full, the camera will begin overwriting the oldest captures.
 - iii. When choosing a memory card please use the following recommendations
 1. 32-256 GB storage capacity
 2. SDXC or SDUC
 3. Speed Class: Class 10
 4. UHS Rating: Class 3
 5. Video Speed: V30 (minimum)
 6. Bus Speed Class: UHS-1 (minimum)

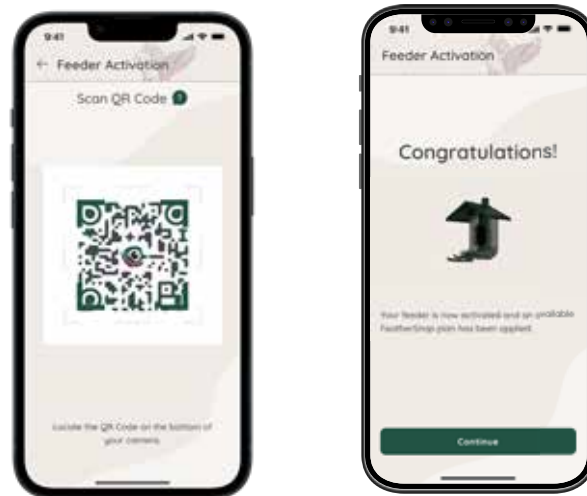


- b. The device has 5GB of internal storage capacity.
 - i. Images will be deleted from internal memory immediately after images are sent to the Mobile App
 - ii. Videos will be saved until memory is full.
 - 1. When memory is full the device will begin overwriting the oldest videos.
- 6. Solar charging.
 - a. The feeder roof is equipped with dual solar panels .
 - b. Be sure that the camera is fully seated into the feeder to ensure adequate charging.
 - c. Be sure to install the feeder in a sunny location to maximize charge time.
- 7. Feeder placement.
 - a. Tips for feeder location to optimize bird traffic and image quality.
 - i. Mount feeder in a sunny location.
 - ii. Mount feeder near trees or other active feeders where birds can find it easily.
 - iii. Avoid facing the feeder to the South.
 - 1. Direct sunlight could cause glare and unwanted triggering of the PIR which will produce images with no birds.
 - iv. Mount feeder so that it is easy to access and refill with seed regularly.
 - v. Be sure that feeder is mounted securely to avoid damage.
- 8. Filling the feeder.
 - a. The feeder has two separate seed compartments (hoppers) to hold different seed types.
 - b. To fill the hopper, press the button on the back of the feeder to drop the roof forward.
 - c. Fill each side of the hopper.
 - d. Lift roof to latch back into place.

Mobile Application

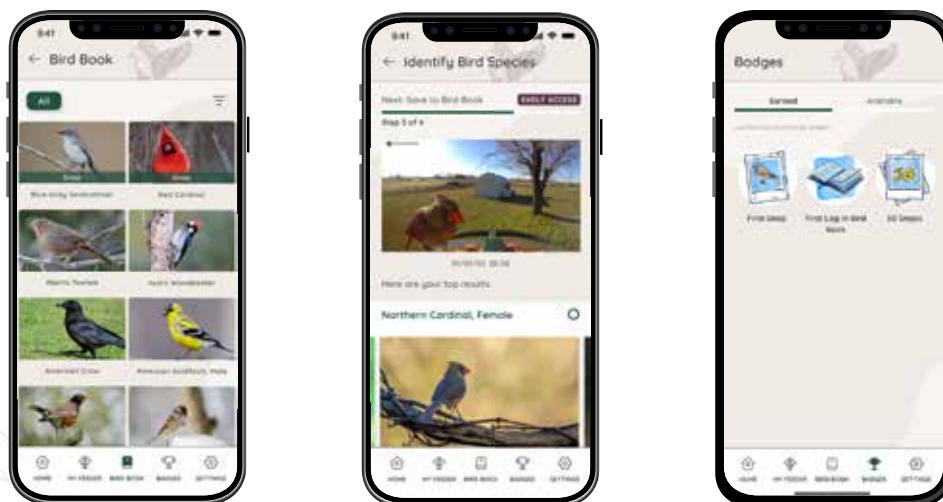
- 1. Ensure to follow creating your FeatherSnap account instructions above.
- 2. To download the FeatherSnapCam application.
 - a. iOS, open the App Store app
 - b. Android, open the Google Play Store app
- 3. Search for FeatherSnap.
- 4. Select the app.
- 5. Review app details.
- 6. Download the app.
 - a. iOS, tap the “Get” button
 - b. Android, tap the “Install” button

7. Accept FeatherSnapCam App permissions.
8. Wait for download and install to be complete on your device.
9. Open the app.
 - a. Once installed, the new app icon will be on your device
 - b. Tap the icon to open and start using the FeatherSnapCam App
10. Sign in.
11. Follow on screen instructions to activate your feeder.



App Features Include

- View, manage, and save photos and videos of your feathered visitors in your bird book
- Identify your birds using the FeatherSnap bird id or ai
- Earn achievement badges along the way... And more!



Warranty

FeatherSnap products and accessories, including FeatherSnap cameras and accessories are guaranteed against manufacturing defects for one (1) year from the original date of purchase. FeatherSnap's sole obligation in the event of such defects during this period is to repair or replace the defective part or product with a comparable part or product at FeatherSnap's sole discretion. Except for such repair or replacement, the sale, processing or other handling of this product is without warranty, condition or other liability even though the defect or loss is caused by negligence or other fault. Damage resulting from use, accident, or normal wear and tear is not covered by this or any warranty. Warranties are limited to items acquired through authorized dealers and channels. Items purchased through gray markets and unauthorized resellers will not be covered by this or any warranty. FeatherSnap assumes no liability for any accident, injury, death, loss, or other claim related to or resulting from the use of this product. In no event shall FeatherSnap be liable for incidental or consequential damages relating to or resulting from the use of this product or any of its parts.

Returns or replacements of parts and/or products may be subject to shipping, handling, replacement and/or restocking fees. International Warranty – return shipping or shipping a product back to the customer is not included.

Questions? Comments? Experience some world class customer support when you contact our Support Team by clicking on the Contact Us Page. We'd love to hear from you!

WARRANTY INFORMATION

We're disappointed if you're not completely satisfied with your FeatherSnap purchase. We take a lot of pride in our products and service! If you are experiencing a problem with a FeatherSnap purchase, please take a minute to read the information below to determine if your issue is covered under the FeatherSnap warranty.

WARRANTY EXCLUSIONS

Under no circumstances will FeatherSnap be responsible for any refund or remuneration exceeding the original purchase price of the product less any shipping fees. FeatherSnap will not be held responsible for typographical errors on sales receipts, repair tickets, or on our website. FeatherSnap makes every effort to make sure all information on our website is correct.

REPAIR & REPLACEMENT SERVICE

FeatherSnap will replace your product or part free of charge if your product or part has a manufacturing defect that is covered by the warranty below. FeatherSnap is not responsible for shipping costs associated with warranty returns.

Returns that don't qualify for warranty coverage will be returned to customers. It is vital that you communicate with FeatherSnap's Customer Support Team before sending in your return. Please contact us at support@feathersnapcam.com or (218)-282-7121.

FCC Compliance

This device complies with part 15 of the FCC Rules. Operation is subject to the following two conditions: (1) This device may not cause harmful interference, and (2) this device must accept any interference received, including interference that may cause undesired operation.

Note: This has been tested and found to comply with the limits for a Class B digital device, pursuant to part 15 of the FCC Rules. These limits are designed to provide reasonable protection against harmful interference in a residential installation. This equipment generates, uses, and can radiate radio frequency energy and, if not installed and used in accordance with the instructions, may cause harmful interference to radio communications. However, there is no guarantee that interference will not occur in a particular installation.

If this equipment does cause harmful interference to radio or television reception, which can be determined by turning the equipment off and on, the user is encouraged to try to correct the interference by one or more of the following measures:

- Reorient or relocate the receiving antenna.
- Increase the separation between the equipment and receiver.
- Connect the equipment to an outlet on a circuit different from that to which the receiver is connected.
- Consult the dealer or an experienced radio/TV technician for help.

Changes or modifications to this product not authorized by Apple could void the electromagnetic compatibility (EMC) and wireless compliance and negate your authority to operate the product.

FCC 15.9: Except for the operations of law enforcement officers conducted under lawful authority, no person shall use, either directly or indirectly, a device operated pursuant to the provisions of this part for the purpose of overhearing or recording the private conversations of others unless such use is authorized by all of the parties engaging in the conversation. Exposure to radio frequency energy. The radiated output power of this device meets the limits of FCC/IC radio frequency exposure limits. This device should be operated with a minimum separation distance of 20 cm (8 inches) between the equipment and a person's body.

FCC ID: 2BEUB-FSSCOUT1



CAMERA MODE	LED STATUS	COLOR
Power ON	3 Slow Blinks	GREEN
Bluetooth Pairing	Fast Blink	BLUE
Bluetooth Pair Success	Solid	BLUE
Wi-Fi Connecting	Slow Blink	GREEN
Wi-Fi Connected	Solid	GREEN
Firmware Updating	Solid or Slow Blink	RED
Low Battery	Fast Blink	RED
Working Mode	OFF	OFF

BUTTON INTERACTION	FUNCTION
Hold Button 1 seconds	Power ON
Hold Button 3 seconds	Power OFF
Press once (while in work mode)	Send Test Photo
Press Three Times Quickly	Enter Pairing Mode

NEED HELP?

PRODUCT ISSUES? WE CAN HELP!

IF YOU HAVE ANY QUESTIONS OR ISSUES WITH OUR PRODUCT OR SERVICES,
PLEASE CONTACT CUSTOMER SERVICE.

EMAIL: support@feathersnapcam.com

CALL: (218)-282-7121

1668 Jordan West Rd.
Decorah, IA 52101

www.FeatherSnapCam.com

